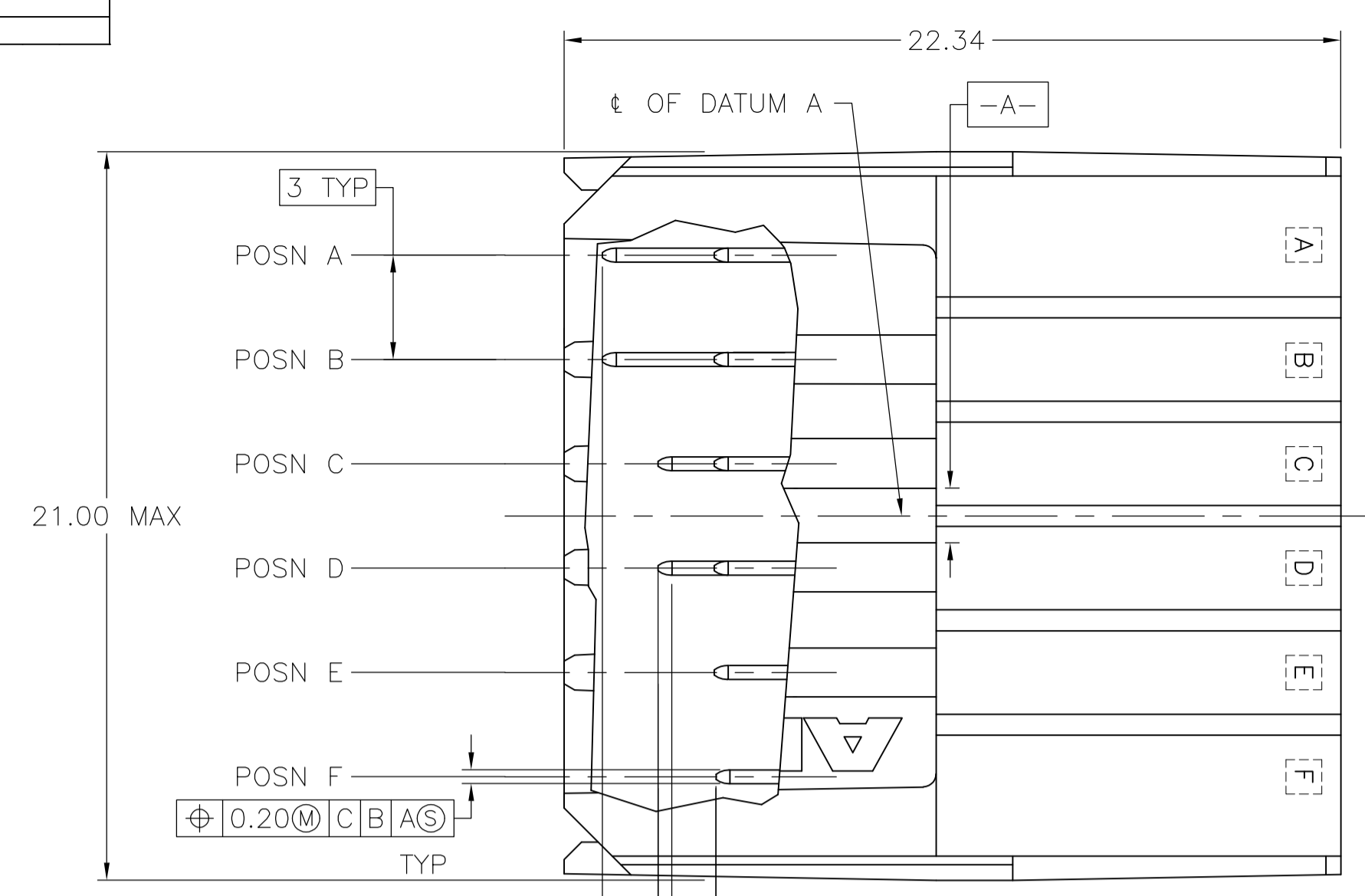
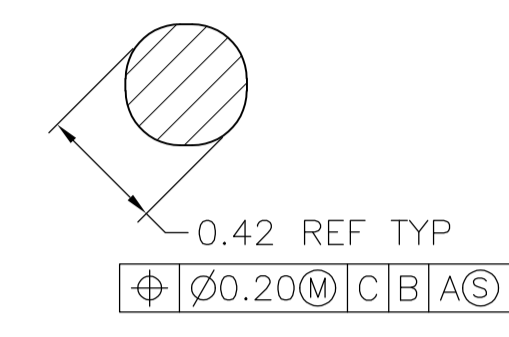


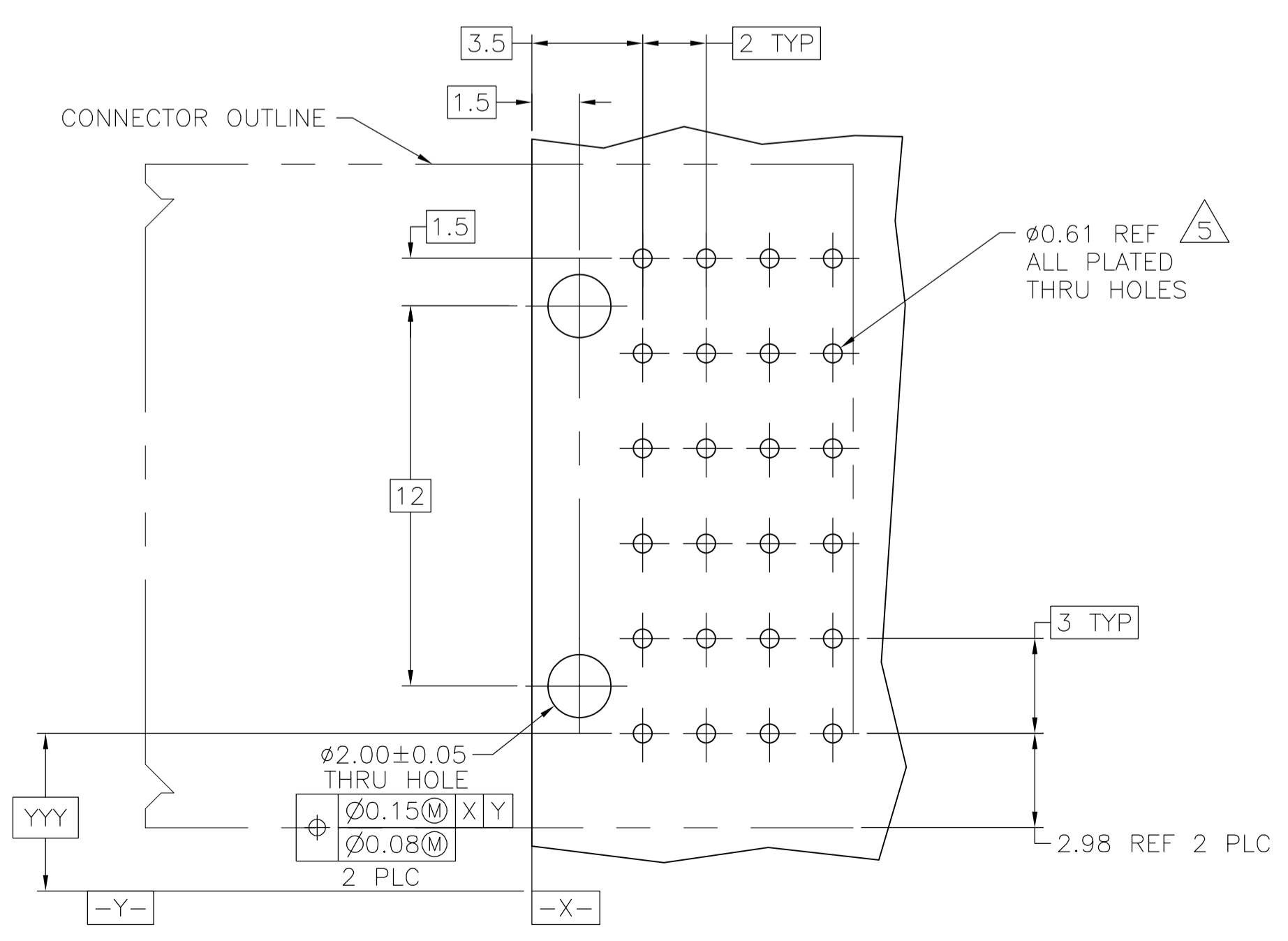
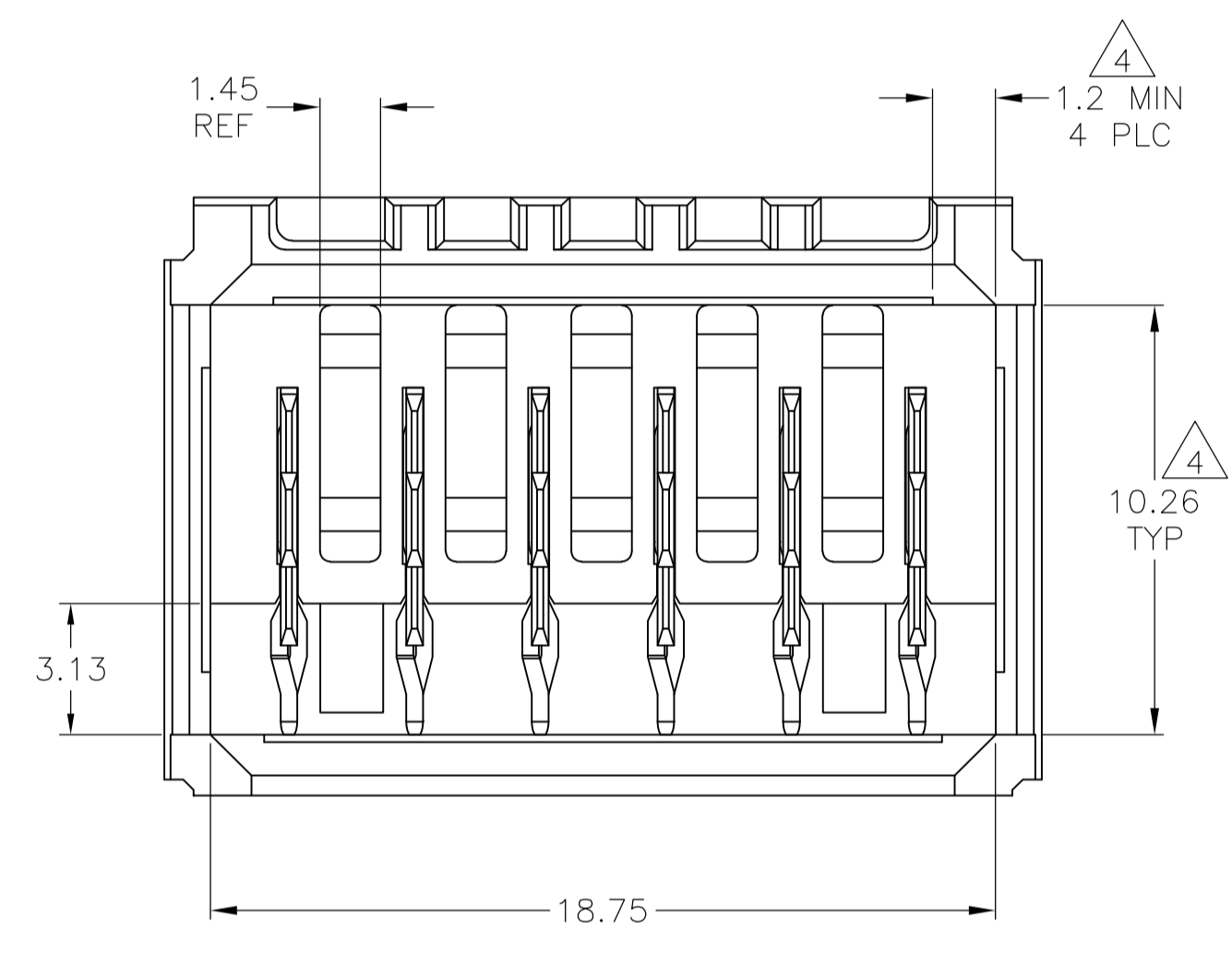
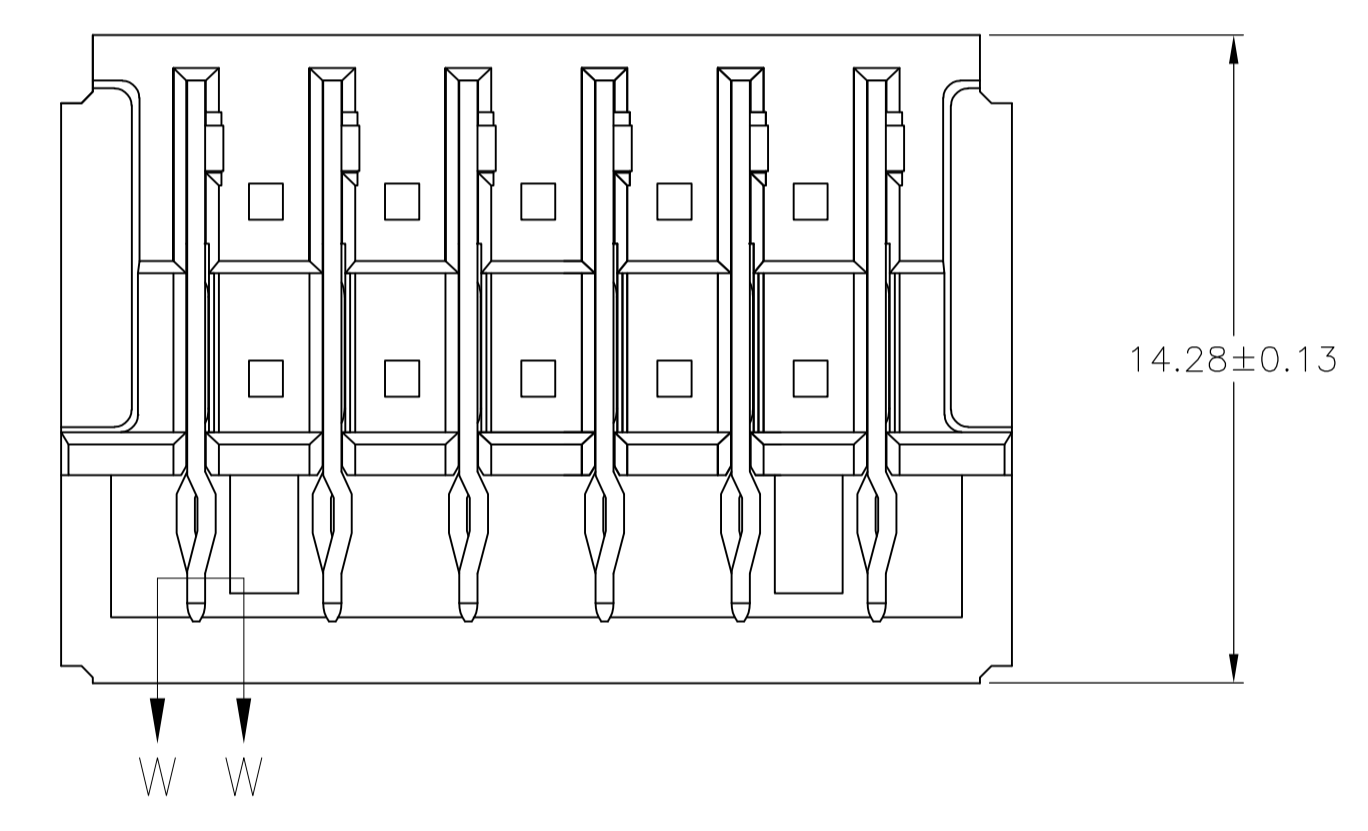
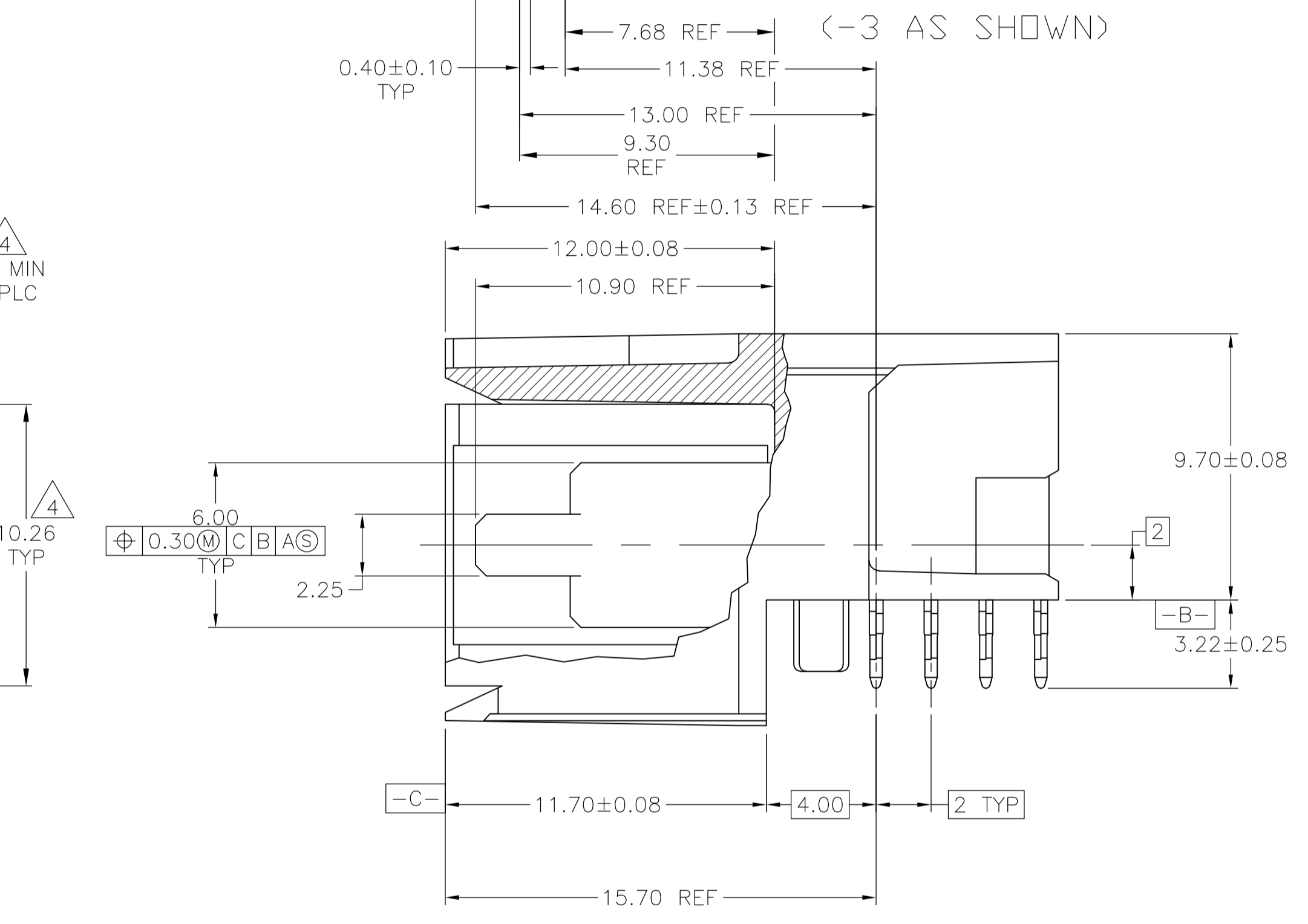
LOC		DIST		REVISIONS				
AD	00	REV	DATE	DESCRIPTION	DATE	BY	APP'D	
E2		REVISED PER	ECO-12-010077		01JUN12	KH	AS	



- 1 MATERIAL: HOUSING: POLYESTER. COLOR: GRAY. UL 94V-0. CONTACT: PHOSPHOR BRONZE.
- 2 FINISH: CONTACT MATING AREA: 1.27μm MIN GOLD OR 0.08μm MIN GOLD OVER 0.76μm MIN PALLADIUM-NICKEL. ACTION PIN AREA: 0.5μm MIN TIN PLATE, ALL OVER 1.27μm MIN NICKEL UNDERPLATE.
- 3 FINISH: CONTACT LUBRICATION WITH BELLCORE APPROVED LUBRICANT. TECHNICAL REFERENCE: GR-1217-CORE, ISSUE 1, NOVEMBER 1995.
- 4 THE 10.26±0.13 DIMENSION APPLIES IN THIS AREA.
- 5 REFERENCE APPLICATION SPEC 114-1103 FOR RECOMMENDED PLATED THRU HOLE DIAMETER AND PLATING THICKNESS.
- 6. CURRENT RATING 10A/CONTACT PER PRODUCT SPEC 108-1651.



SECTION W-W  
SCALE 40:1



FINISH	POSITIONS LOADED WITH 10.90 CONTACTS (2)	POSITIONS LOADED WITH 9.30 CONTACTS (3)	POSITIONS LOADED WITH 7.68 CONTACTS (4)	NO OF LOADED POSITIONS	PART NUMBER
2,3	D,E,F	-	A,B,C	6	5646956-7
2,3	-	A,B,C,D	E,F	6	5646956-6
2,3	A,B	D,E,F	C	6	5646956-5
2,3	A,D,E,F	B	C	6	5646956-4
2,3	A,B	C,D	E,F	6	5646956-3
2,3	A,F	B,C,D,E	-	6	5646956-2
2,3	A,B,C,D,E,F	-	-	6	5646956-1

THIS DRAWING IS A CONTROLLED DOCUMENT.

DIMENSIONS: mm	TOLERANCES UNLESS OTHERWISE SPECIFIED:	DIN B CARBO 04JAN05	STE TE Connectivity
0 PLC ± -	1 PLC ± 0.13	04JAN05	ASSEMBLY, RIGHT ANGLE HEADER, W/ RETENTION PEGS, UNIVERSAL POWER MODULE
2 PLC ± -	3 PLC ± -	04JAN05	SIZE: A1
4 PLC ± -	ANGLES ± -	04JAN05	SCALE: 6:1
MATERIAL: 1	FINISH: 2	WEIGHT: -	SHEET: 1 of 1
CUSTOMER DRAWING		DRAWING NO: 00779	REV: E2